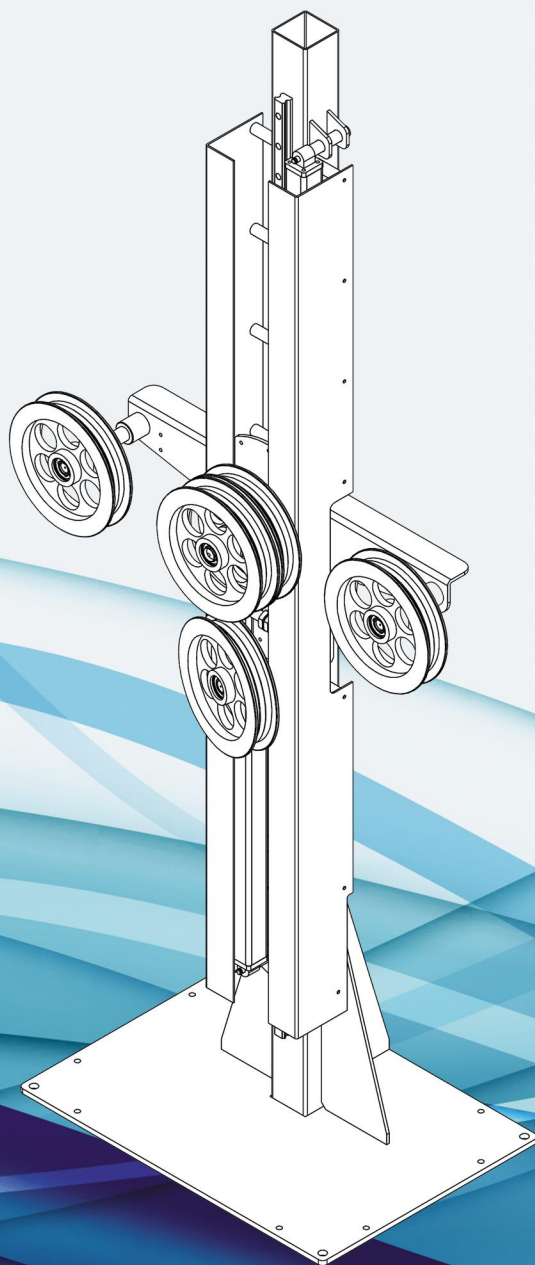


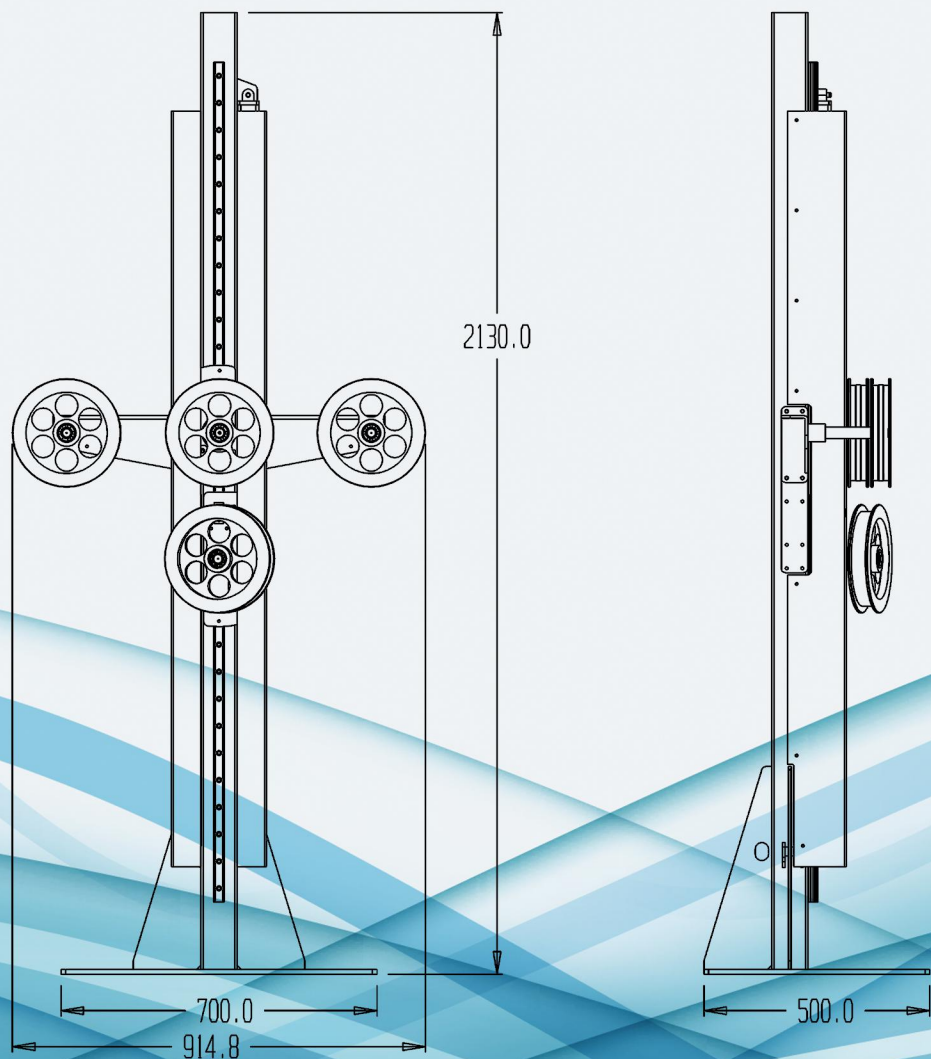
COILING ACCUMULATOR 150



Coiling Accumulator 150

The accumulator is used for hoarding pipe while coil changing in coiling machine. By doing this, a better grab of the pipe is achieved by reducing coiler cutting speed. Pipe stability makes the coils look much better.

- Communication with the coiling machine, so it gets information about coiling process situation and operation instructions
- Air pressure regulator sets pipe tightness
- Air valve to bring two wheels closer in initial operation
- Analog sensor sets opening location



Mopline Macshevet LTD.
Moshav Merhaviya, Israel

+972-4-6420446
+972-50-5364697

office@mopline.com
www.mopline.com