



INSERT MACHINE I-1100



Insert Machine I-1100

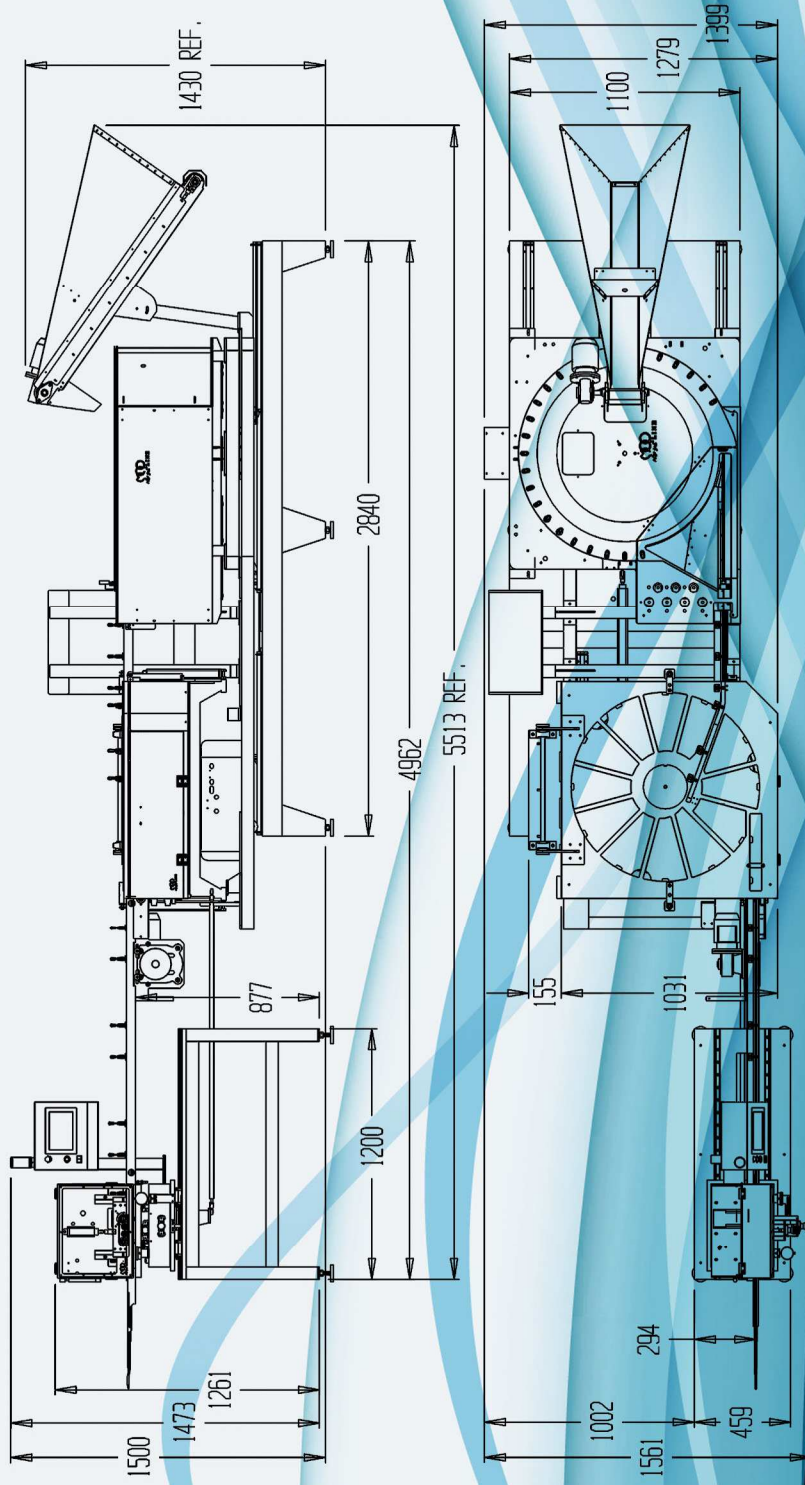
Insert machine for flat drippers

- Insert speed: approximately 1000 drippers/minute (varies by drip)
- Suitable for line speeds of up to 200 m/minute
- Friendly, localized user interface and unit control
- Synchronized with production line, can enter and exit line via electric piston
- Automatic stop and retreat in case of line malfunction

System includes:

- 1000 mm gauge bowl feeder
- 23 m accumulator
- Connective conveyor
- Computerized insert system
- Dripper elevator

3-phase current, 10 amp, 7-bar air pressure



Mopline Macshevet LTD.
Moshav Merhaviya, Israel

+972-4-6420446
+972-50-5364697



office@mopline.com
www.mopline.com