

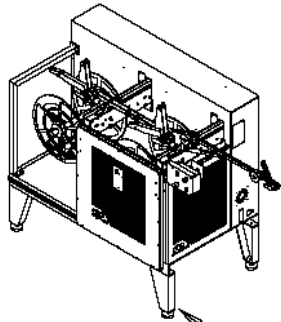
**810**

**EREZ TAPE MACHINE**



810

EREZ TAPE MACHINE



7. MANUAL COILING SYSTEM

6. CHILLING SYSTEM

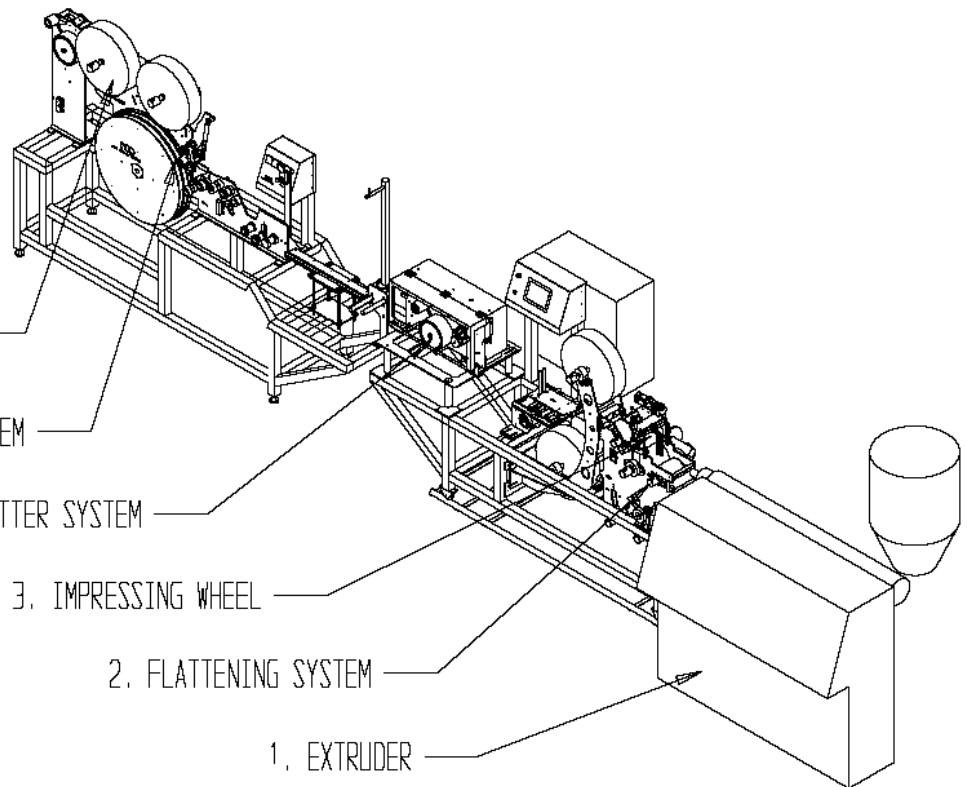
5. WELDING SYSTEM

4. SLITTER SYSTEM

3. IMPRESSING WHEEL

2. FLATTENING SYSTEM

1. EXTRUDER





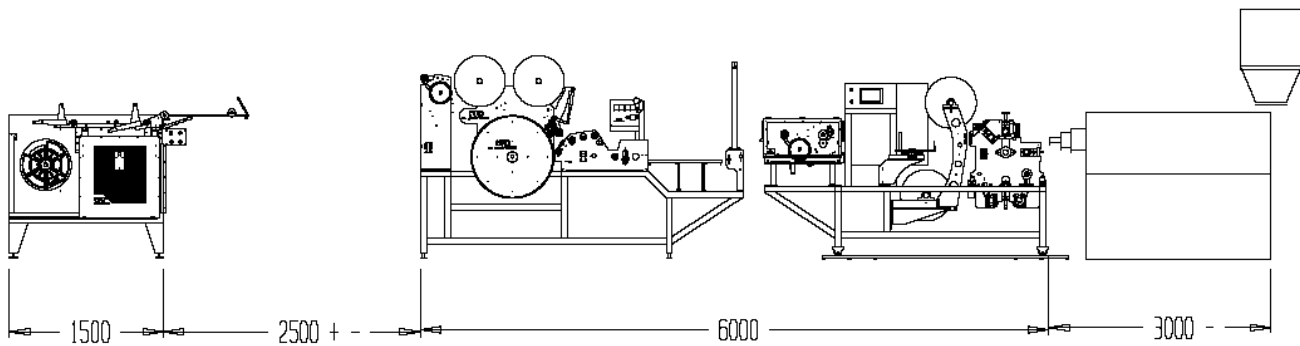
מושב מרחביה עמק יזרעאל 19105  
טלפון 04-6420446 פקס 072-2449371 נייד 050-5364697

**MOPLINE Ltd. Research & Development of High-Tech Solutions**

**810**

**EREZ TAPE MACHINE**

**DIMENSIONS OF LINE**



מושב מרחביה ד.נ. עמק יזרעאל מיקוד 19105 טלפון 04-6420446 פקס 072-2449371 נייד 050-5364697

E-mail: [office@mopline.com](mailto:office@mopline.com) || [www.mopline.com](http://www.mopline.com)

Tel + 972 4 6420446 Fax + 972 722449371 Mobile + 972 505364697 Moshav Merhavia Emek Yizrael 19105 Israel



מושב מרחביה עמק יזרעאל מיקוד 19105 טלפון 04-6420446 פקס 072-2449371 נייד 050-5364697  
וייזוק לזכרון יואב

**MOPLINE Ltd. Research & Development of High-Tech Solutions**

## **EREZ TAPE MACHINE ALL-IN-ONE OSP (ON SITE PRODUCTION)**

### **General Information**

The machine produces thin wall pipe with the dripper build in (tape type). The dripper is an integral part of the pipe (there is no need for external drippers).

The machine is designed to be fully automatic, from the intake of the raw material until the final stage, a roll of irrigation pipe ready for use.

The machine is designed to work even in non-sterile industrial environment.

The machine is designed to be operated by low-tech technical staff with short term instruction. It is a "Turn Key" machine – the client must have a building, electricity supply (380 V., 50 Hz. AC), air supply (6 bar) and raw material. We provide the specific knowledge which is "handy" all over the world.

<https://www.youtube.com/watch?v=yFqb6ln9tmE>

[www.mopline.com](http://www.mopline.com)

### **Machine parts (see drawing on p.2):**

1. Extruder
2. Flattening System
3. Impressing Wheel / Sealing System
4. Slitter System
5. Folding & Welding System
6. Chilling System



מושב מרחביה עמק יזרעאל מיקוד 19105 טלפון 04-6420446 פקס 072-2449371 נייד 050-5364697  
מכניולוגיה גזעימה פועל ויישום לזכוכית ויוצרים

**MOPLINE Ltd. Research & Development of High-Tech Solutions**

## 7. Double Roll Manual Coiling System

The machine includes a Pulling Wheel (Caterpillar), Automatic Recycling System of the leftovers, Complete Computerized Controllers, Friendly HMI System, Brushless Servo Engines. The sealing wheel has 2 options according to customer's request, in coordination with manufacturer, as long as final pipe's diameter is up to 16mm. Additional options (with additional charge): a camera for on-line quality control system, automatic coiling system.

The machine requires two visits at different times for the purpose of installation of the machine; after a month of continuous operating, for solving problems which may appear on site during the process, for training the staff about maintenance of the machine.

### **Technical Specifications**

1. Wall Thickness (mil): 6-10
2. Inside Diameter 16-17 mm. Note: Mopline standard is 16 mm, in case the client is interested in a different pipe diameter there should be a specific demand.
3. Nominal Flow Rates: 0.5 – 2.0 L\H
4. Common Spacing (cm): 10, 20, 40, 80
5. Production Speed: up to 70-100 meters per minute.



**Laboratory Test Results of Erez Tape Machine**

Two samples of Erez Tape were tested (one with 10 cm spacing, the other with 20 cm spacing). Flow rate and other results are listed below:

**1. 10 cm Sample**

Pipe Inner diameter = 16.4mm

Pipe outer diameter = 16.8mm

Average thickness = 0.19mm

**Pipe Wall Thickness**

0.2	0.2	0.18	0.19
0.2	0.2	0.18	0.17

**Flow Rate (LPH) Results at 0.5-1.5 bar**

<u>Sample #</u>	<u>0.5 bar</u>	<u>0.8 bar</u>	<u>1 bar</u>	<u>1.2 bar</u>
1	0.61	0.84	0.94	1.02
2	0.62	0.86	0.96	1.04
3	0.57	0.8	0.9	1
4	0.61	0.8	0.9	0.97
5	0.63	0.81	0.93	1.02
6	0.65	0.85	0.99	1.08
7	0.64	0.81	0.92	1.04
8	0.61	0.86	0.97	1.07
9	0.61	0.8	0.91	0.98



מופליין משה עמק יזרעאל  
 סטנדרטיות גבוהות  
 ויישום לרמת יחידות

**MOPLINE Ltd. Research & Development of High-Tech Solutions**

<u>Sample #</u>	<u>0.5 bar</u>	<u>0.8 bar</u>	<u>1 bar</u>	<u>1.2 bar</u>
10	0.65	0.81	0.92	1.04
11	0.65	0.89	0.97	1.07
12	0.62	0.8	0.91	1.03
Average LPH	0.62	0.83	0.94	1.03
SD	0.02	0.03	0.03	0.03
COV %	3.76	3.76	3.27	3.36
EUC %	95.8	96.4	96.5	95.5

## 2. 20 cm Sample

Pipe Inner diameter = 16.4mm

Pipe outer diameter = 16.8mm

Average thickness = 0.2mm

### Pipe Wall Thickness

0.21	0.22	0.21	0.22
0.21	0.2	0.19	0.18

### Flow Rate (LPH) Results at 0.5 bar -1.2 bar

<u>Sample #</u>	<u>0.5 bar</u>	<u>0.8 bar</u>	<u>1 bar</u>	<u>1.2 bar</u>
1	0.72	0.92	0.98	1.05
2	0.71	0.89	1.06	1.16
3	0.68	0.9	1	1.11
4	0.67	0.95	1.05	1.18
5	0.7	0.9	1	1.16
6	0.7	0.93	1.06	1.1



מפליין מאכשבת ג'ת"ש  
מפליין מאכשבת ג'ת"ש  
מפליין מאכשבת ג'ת"ש

**MOPLINE Ltd. Research & Development of High-Tech Solutions**

<u>Sample #</u>	<u>0.5 bar</u>	<u>0.8 bar</u>	<u>1 bar</u>	<u>1.2 bar</u>
7	0.68	0.91	1.04	1.17
8	0.75	0.97	1.02	1.13
Average LPH	0.70	0.92	1.03	1.13
SD	0.03	0.03	0.03	0.04
COV %	3.69	2.98	2.99	3.88
EUC %	95.9	97.1	96.4	95.3

Mechanical tensile properties of the pipe were tested under ASTM D638 Standard with the following results:

Tensile Stress @ Break = 33.3 Mpa

Elongation @ Break = 115%

Pipe was put under high operating pressure of 2 bar for 1 hour and it passed the test.

We will be glad to serve you.

Yours truly,

Erez Yiflach 

Mopline Machshevet Ltd.

מושב מרחביה ד.ג. עמק יזרעאל מיקוד 19105 טלפון 04-6420446 פקס 072-2449371 נייד 050-5364697

E-mail: [office@mopline.com](mailto:office@mopline.com) || [www.mopline.com](http://www.mopline.com)

Tel + 972 4 6420446 Fax + 972 722449371 Mobile + 972 505364697 Moshav Merhavia Emek Yizrael 19105 Israel