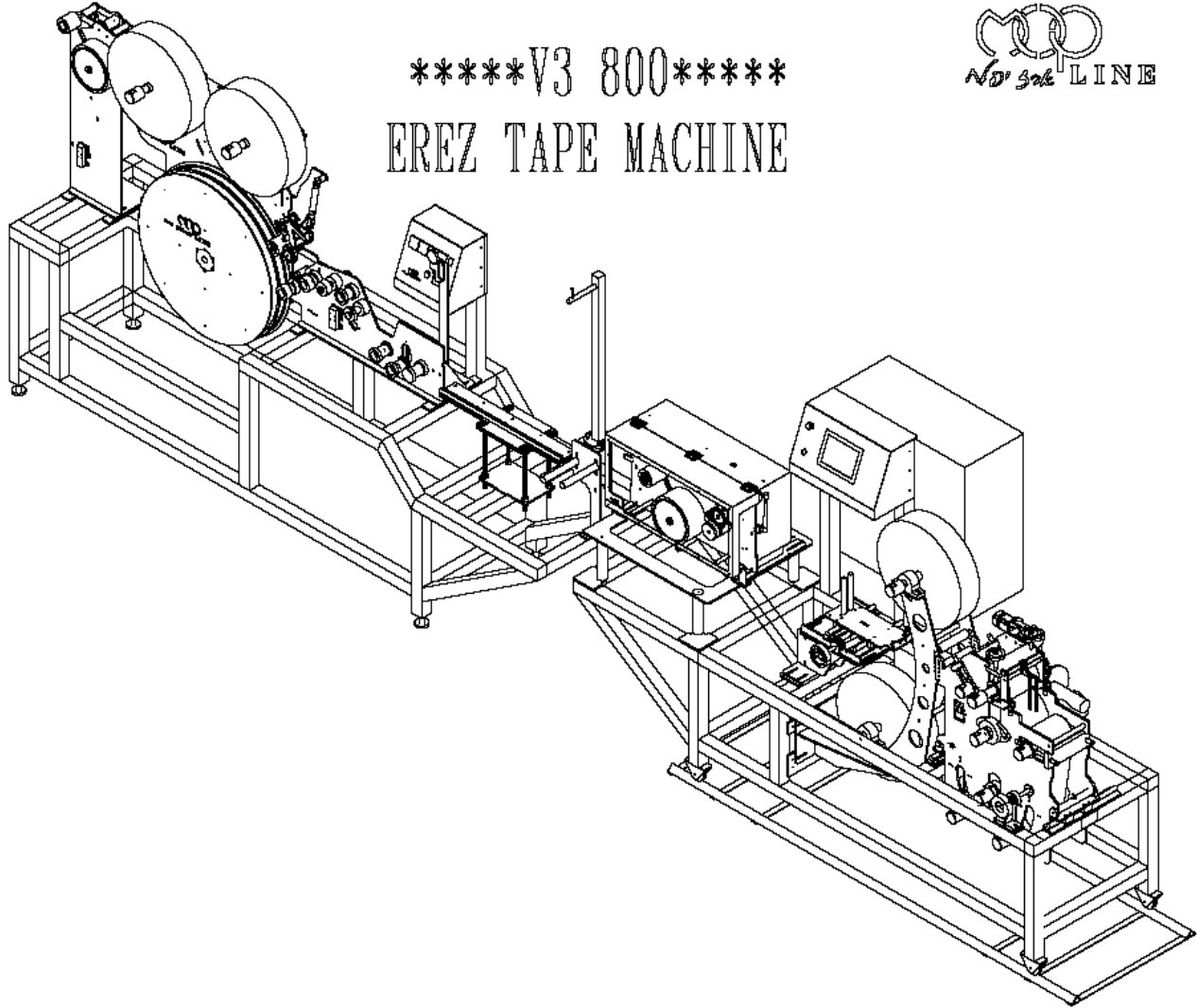




מושב מרחביה עמק יזרעאל 19105
טלפון 04-6420446 פקס 072-2449371 נייד 050-5364697

MOPLINE Ltd. Research & Development of High-Tech Solutions



*****V3 800*****
EREZ TAPE MACHINE



מושב מרחביה ד.נ. עמק יזרעאל מיקוד 19105 טלפון 04-6420446 פקס 072-2449371 נייד 050-5364697

E-mail: office@mopline.com || www.mopline.com

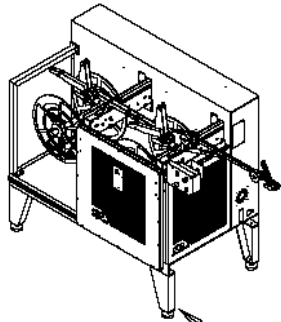
Tel + 972 4 6420446 Fax + 972 722449371 Mobile + 972 505364697 Moshav Merhavia Emek Yizrael 19105 Israel



מושב מרחביה עמק יזרעאל 19105
טלפון 04-6420446 פקס 072-2449371 נייד 050-5364697

MOPLINE Ltd. Research & Development of High-Tech Solutions

*****V3 800*****
EREZ TAPE MACHINE



7. MANUAL
COILING SYSTEM

6. CHILLING SYSTEM

5. WELDING SYSTEM

4. SLITTER SYSTEM

3. IMPRESSING WHEEL

2. FLATTENING SYSTEM

1. EXTRUDER

מושב מרחביה ד.נ. עמק יזרעאל מיקוד 19105 טלפון 04-6420446 פקס 072-2449371 נייד 050-5364697

E-mail: office@mopline.com || www.mopline.com

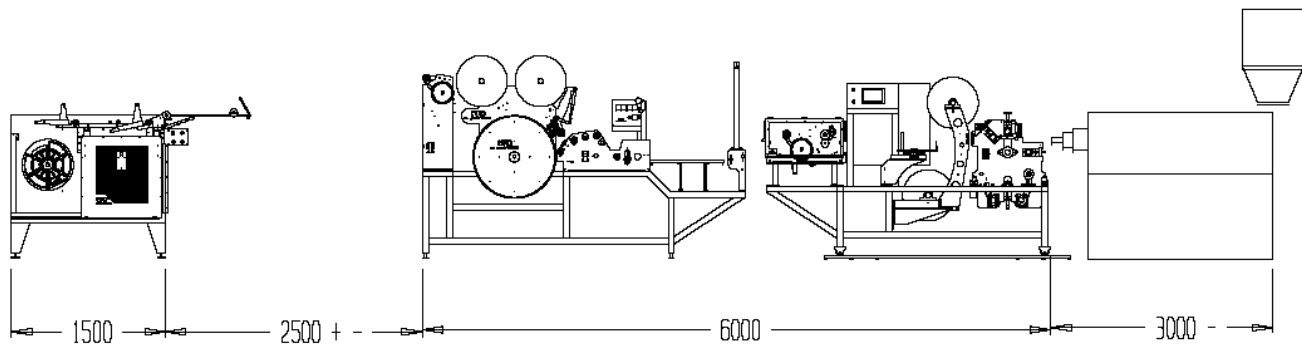
Tel + 972 4 6420446 Fax + 972 722449371 Mobile + 972 505364697 Moshav Merhavia Emek Yizrael 19105 Israel



מושב מרחביה עמק יזרעאל 19105
טלפון 04-6420446 פקס 072-2449371 נייד 050-5364697

MOPLINE Ltd. Research & Development of High-Tech Solutions

V3 800
EREZ TAPE MACHINE
DIMENSIONS OF LINE



מושב מרחביה ד.נ. עמק יזרעאל מיקוד 19105 טלפון 04-6420446 פקס 072-2449371 נייד 050-5364697

E-mail: office@mopline.com || www.mopline.com

Tel + 972 4 6420446 Fax + 972 722449371 Mobile + 972 505364697 Moshav Merhavia Emek Yizrael 19105 Israel



מושב מרחביה עמק יזרעאל מיקוד 19105 טלפון 04-6420446 פקס 072-2449371 נייד 050-5364697
וייזוק לתיבות יואבזיא

MOPLINE Ltd. Research & Development of High-Tech Solutions

EREZ TAPE MACHINE ALL-IN-ONE OSP (ON SITE PRODUCTION)

General Information

The machine produces thin wall pipe with the dripper build in (tape type). The dripper is an integral part of the pipe (there is no need for external drippers).

The machine is designed to be fully automatic, from the intake of the raw material until the final stage, a roll of irrigation pipe ready for use.

The machine is designed to work even in non-sterile industrial environment.

The machine is designed to be operated by low-tech technical staff with short term instruction. It is a "Turn Key" machine – the client must have a building, electricity supply (380 V., 50 Hz. AC), air supply (6 bar) and raw material. We provide the specific knowledge which is "handy" all over the world.

<https://www.youtube.com/watch?v=yFqb6ln9tmE>

www.mopline.com

Machine parts (see drawing on p.2):

1. Extruder
2. Flattening System
3. Impressing Wheel / Sealing System
4. Slitter System
5. Folding & Welding System
6. Chilling System



Laboratory Test Results of Erez Tape Machine

Two samples of Erez Tape were tested (one with 10 cm spacing, the other with 20 cm spacing). Flow rate and other results are listed below:

1. 10 cm Sample

Pipe Inner diameter = 16.4mm

Pipe outer diameter = 16.8mm

Average thickness = 0.19mm

Pipe Wall Thickness

0.2	0.2	0.18	0.19
0.2	0.2	0.18	0.17

Flow Rate (LPH) Results at 0.5-1.5 bar

<u>Sample #</u>	<u>0.5 bar</u>	<u>0.8 bar</u>	<u>1 bar</u>	<u>1.2 bar</u>
1	0.61	0.84	0.94	1.02
2	0.62	0.86	0.96	1.04
3	0.57	0.8	0.9	1
4	0.61	0.8	0.9	0.97
5	0.63	0.81	0.93	1.02
6	0.65	0.85	0.99	1.08
7	0.64	0.81	0.92	1.04
8	0.61	0.86	0.97	1.07
9	0.61	0.8	0.91	0.98



מופליין משה עמק יזרעאל
 ויישום מערכות מים
 טכנולוגיה גזומה פתוחה

MOPLINE Ltd. Research & Development of High-Tech Solutions

<u>Sample #</u>	<u>0.5 bar</u>	<u>0.8 bar</u>	<u>1 bar</u>	<u>1.2 bar</u>
10	0.65	0.81	0.92	1.04
11	0.65	0.89	0.97	1.07
12	0.62	0.8	0.91	1.03
Average LPH	0.62	0.83	0.94	1.03
SD	0.02	0.03	0.03	0.03
COV %	3.76	3.76	3.27	3.36
EUC %	95.8	96.4	96.5	95.5

2. 20 cm Sample

Pipe Inner diameter = 16.4mm

Pipe outer diameter = 16.8mm

Average thickness = 0.2mm

Pipe Wall Thickness

0.21	0.22	0.21	0.22
0.21	0.2	0.19	0.18

Flow Rate (LPH) Results at 0.5 bar -1.2 bar

<u>Sample #</u>	<u>0.5 bar</u>	<u>0.8 bar</u>	<u>1 bar</u>	<u>1.2 bar</u>
1	0.72	0.92	0.98	1.05
2	0.71	0.89	1.06	1.16
3	0.68	0.9	1	1.11
4	0.67	0.95	1.05	1.18
5	0.7	0.9	1	1.16
6	0.7	0.93	1.06	1.1



מפליין מאכשבת ז.נ. סטנדרטיות גבוהות פיתוח
וישוק לרשתות ומבניות

MOPLINE Ltd. Research & Development of High-Tech Solutions

<u>Sample #</u>	<u>0.5 bar</u>	<u>0.8 bar</u>	<u>1 bar</u>	<u>1.2 bar</u>
7	0.68	0.91	1.04	1.17
8	0.75	0.97	1.02	1.13
Average LPH	0.70	0.92	1.03	1.13
SD	0.03	0.03	0.03	0.04
COV %	3.69	2.98	2.99	3.88
EUC %	95.9	97.1	96.4	95.3

Mechanical tensile properties of the pipe were tested under ASTM D638 Standard with the following results:

Tensile Stress @ Break = 33.3 Mpa

Elongation @ Break = 115%

Pipe was put under high operating pressure of 2 bar for 1 hour and it passed the test.

We will be glad to serve you.

Yours truly,

Erez Yiflach 
MOPLINE Machshevet Ltd

Mopline Machshevet Ltd.

מושב מרחביה ד.ג. עמק יזרעאל מיקוד 19105 טלפון 04-6420446 פקס 072-2449371 נייד 050-5364697

E-mail: office@mopline.com || www.mopline.com

Tel + 972 4 6420446 Fax + 972 722449371 Mobile + 972 505364697 Moshav Merhavia Emek Yizrael 19105 Israel