

COILING MACHINE 191-B

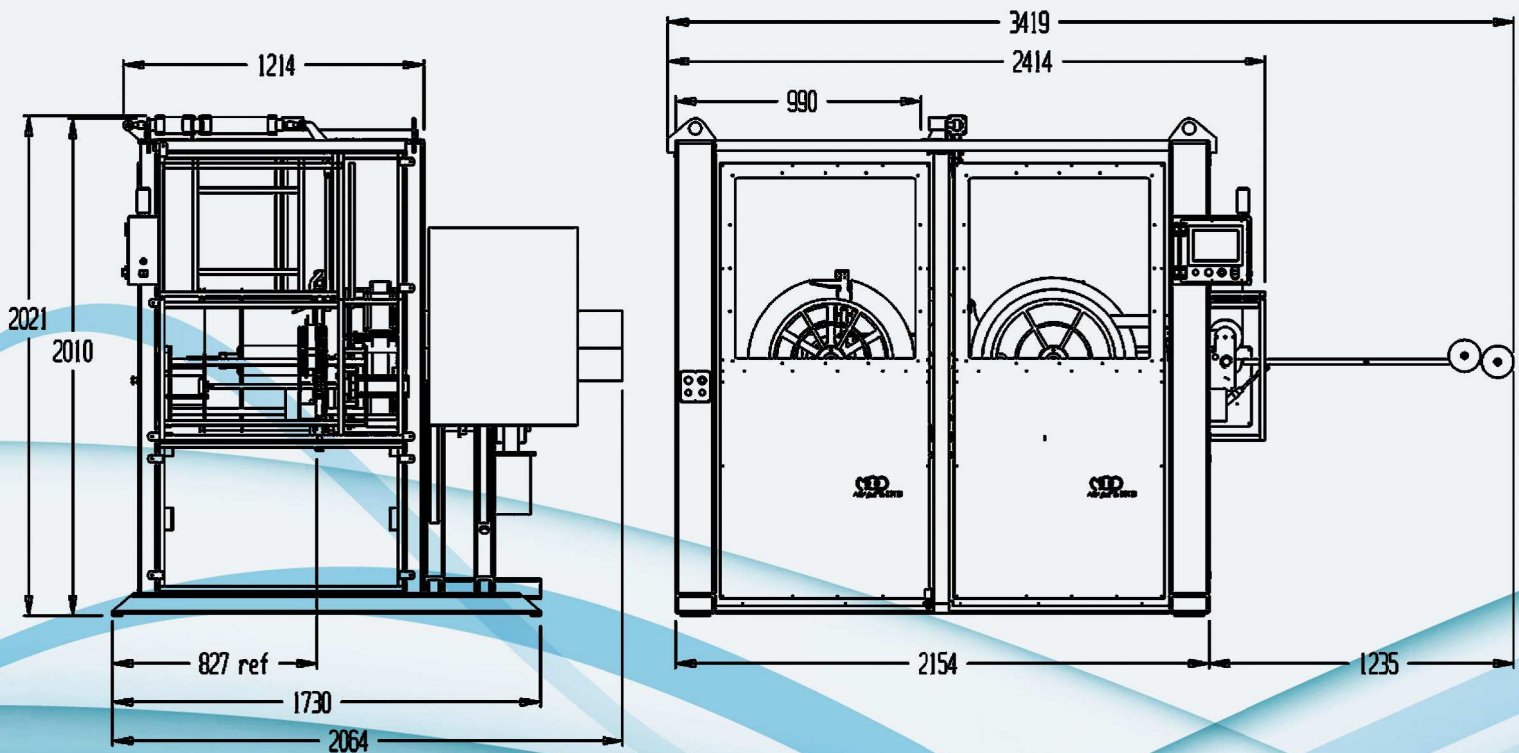


Coiling Machine 191-B

For coiling wide and narrow flat pipes over cardboard tubes

- Coiling speed: up to 200 m/minute
- Roll width: up to 350 mm, roll diameter: up to 575 mm
- Pipe diameter: 12-20 mm
- Friendly, localized user interface
- Controlled coiling tensity
- Automatic roll change
- Meter count per roll
- Can read line speed and meter, or function in full automatic mode

3-phase current, 25 amp, 7-bar air pressure



Mopline Macshevet LTD.
Moshav Merhaviya, Israel

+972-4-6420446
+972-50-5364697

office@mopline.com
www.mopline.com